

WR – Water wash control cabinet



Overview

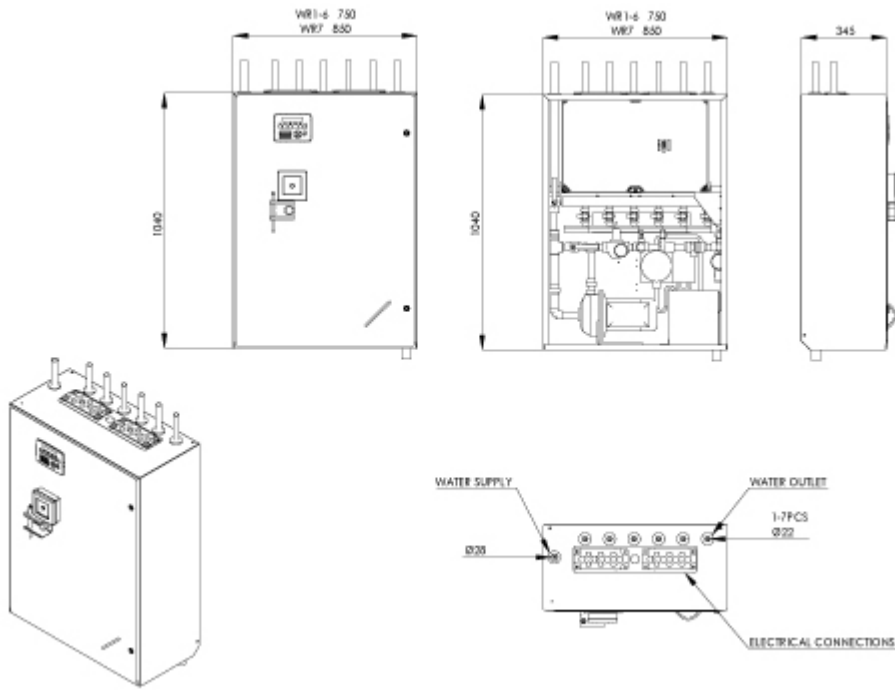
- Compact design
- Fully automatic control system
- All control devices locate on the cabinet door
- Designed for galley conditions
- Stainless steel
- Controls 1 – 7 hood groups
- Designed and manufactured according to USPHS guidelines

Specification

Halton WR water wash control cabinets are used to control the washing cycle of Halton galley hoods KWH and KWT. Water wash control cabinet automatically washes down the grease filters and UV-lamps (when equipped with UV-technology) without removal of the filters and UV-lamps of the hood. The washing cycle is fully automatic and programmable for use in different operation conditions. The washing process can be manually overridden, when required.

Dimensions and Weight

General WR control cabinet drawings



Construction

The control cabinet comprises main body, washing pipes, enclosure, booster and detergent pumps. All parts of the main body are manufactured from polished stainless steel EN 1.4301 (AISI304). Control interface is located on the cabinet door.

Weight

WR control cabinet weights 75 – 88 kg depending on the model.

Material

PART	MATERIAL	NOTE
Main body	Stainless steel EN 1.4301 (AISI304)*	Option: EN 1.4404 (AISI316L)
Connection pipes	Copper	–
Enclosures	Plastics	–
Booster pump	Painted steel	1-phase, 230 VAC
Soap pump	Plastics	1-phase, 230 VAC

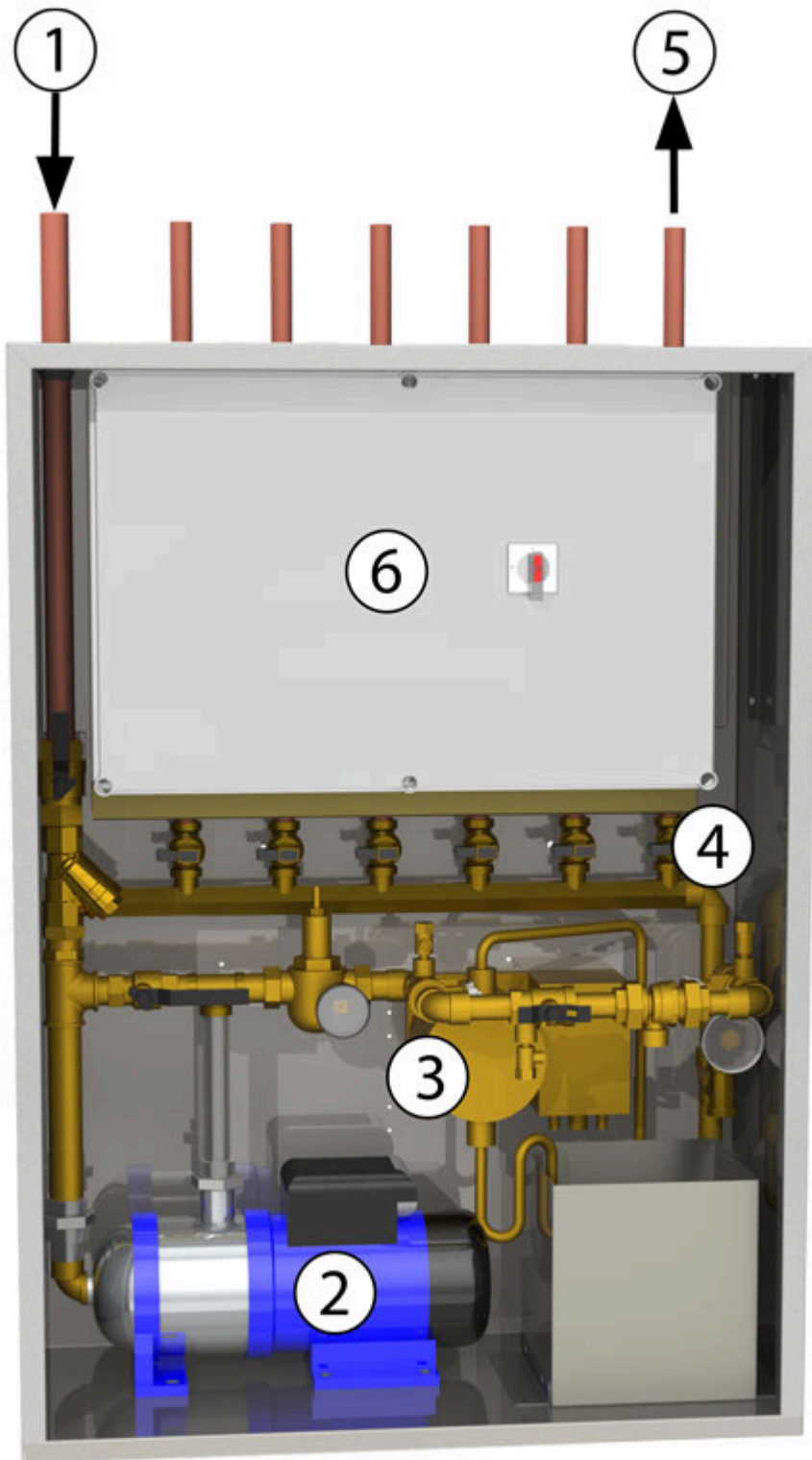
*) Thickness 1,25 mm

Product options

- Stainless steel EN 1.4404 (AISI316L)
- Operating frequency of 50 Hz or 60 Hz
- UV-light technology control system
- Fan control switch (ON/OFF)

Function

1. Supply water enters the water wash cabinet
2. A booster pump is used if higher water pressure is needed
3. Detergent pump adds detergent to the water
4. Electromagnetic valves control the mixture of detergent and water to the hoods
5. Maximum of 7 water outlets are included in each cabinet, capable to wash up to 5 meters of filter length per outlet.
6. PLC based control system for controlling each function



Supply connection requirements

Water supply:

MIN TEMP. 50°C

MAX TEMP. 60°C

Power supply:

230VAC 50/60Hz 10A service

Connection to ship system

Connections to ship systems

