

KW3 – Galley water wash hood



Overview

- Halton Capture Jet™ 3 technology, reducing the required exhaust airflow rate and improving the capture and containment efficiencies of the hood, while reducing energy use
- The design follows USPHS guidelines
- Automatic periodic cleaning of the exhaust plenum and KSA grease filters (and UV tubes when applicable)
- Minimal maintenance requirements, reducing the work load for personnel cleaning the filters and ductwork
- High level of hygiene facilitated
- Prevention of the build-up of grease deposits, which pose a serious fire hazard
- High-efficiency grease filtration using Halton KSA multi-cyclone filters
- Supplied as standard with lighting, balancing dampers for both capture and exhaust air and T.A.B.™ airflow measurement taps, which allow accurate and effective balancing of airflows, and efficient commissioning
- Stainless steel, welded construction
- UV-light filtration technology available as an option
- Modulating Halton fire damper or shut-off damper in exhaust connection (available as an option)

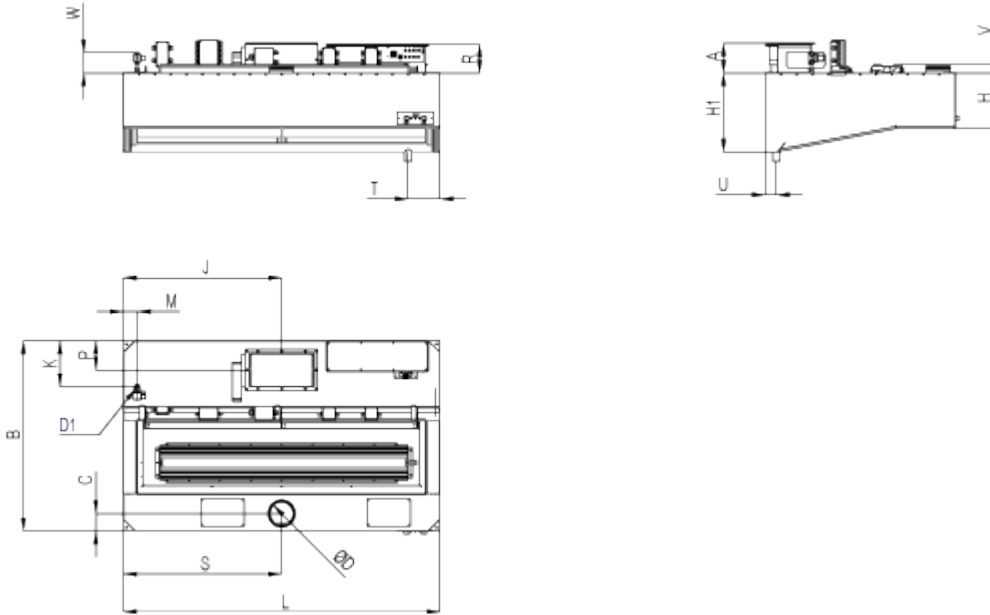
Specification

Halton KW3 is a galley water wash hood for use in marine & offshore applications. The highly efficient KW3 hood uses Halton Capture Jet™ 3 technology, which allows the hood to operate with up to 45% lower exhaust airflow rates than traditional hoods. The KW3 galley hood automatically washes down the grease filters without the need for removal of the filters from the hood. The

washing cycle, operated by a control cabinet CCW-M (see separate brochure), is fully automatic and programmable for use in different operating conditions. The washing process can be manually overridden, when required.

Dimensions and Weight

KW3 general drawings



KW3 DIMENSIONS			
A	195	L	1000-3000
B	1100-1900	M	87
C	110	P	185
D	100-200	S	1/2L
D1	3/4"	T	100-200
H	350	U	70
H1	500	R	185
J	1/2L	V	max 50
K	291	W	~130

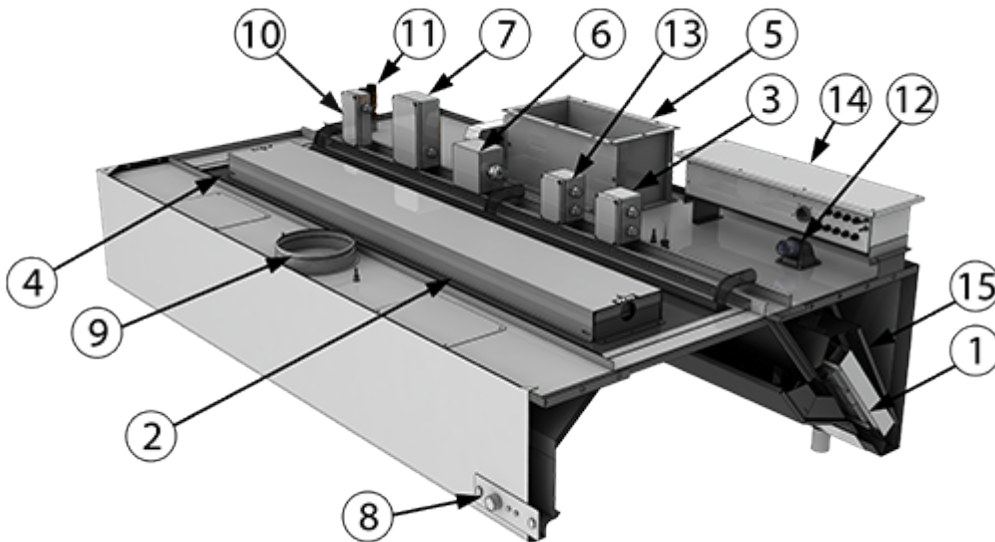
Note: Maintenance / light fixture hatch is as big as the construction allows.
 Note: Minimum length with UV-light technology is 1250 mm.

Material

PART	MATERIAL	THICKNESS	NOTE
Front and side walls	Stainless steel EN 1.4301 (AISI304)	1,25 mm	Option: EN 1.4404 (AISI316L)
Main body	Stainless steel EN 1.4301 (AISI304)	1,25 mm	Option: EN 1.4404 (AISI316L)
Light fixture	Painted steel	–	
Wash piping	Stainless steel, brass	–	
Cables	Halogen free	–	

Construction

The KW3 hood comprises a Capture Jet™ air supply module, a light fixture, adjustment dampers, airflow measurement taps and KSA grease filters. All parts of the hood are manufactured from polished stainless steel EN 1.4301 (AISI304). The joints at the lower edges of the device are watertight. A drain pipe connection is fitted into the exhaust plenum in order to enable removal of the grease and dirt extracted by the KSA multi-cyclone filters and to drain the washing water. The Capture Jet supply plenum is thermally insulated through the use of mineral wool material to prevent condensation on the inner face above the cooking equipment.



PARTS

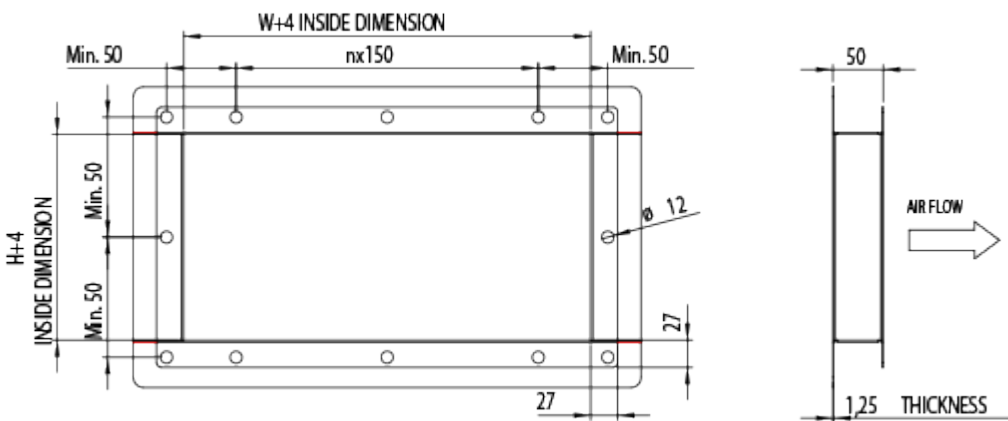
- 1 KSA grease filters
- 2 Lighting fixture
- 3 Lighting fixture power supply junction box
- 4 Maintenance hatch

- 5 Exhaust air connection, fire damper or shut-off damper* (available as an option) and adjustment damper
- 6 Fire damper junction box
- 7 Actuator power and fuse info junction box
- 8 Damper switch and indication (available as an option)
- 9 Capture air connection and adjustment damper
- 10 Water wash piping connection R3/4" (G3/4" solenoid valve as an option)
- 11 Washing solenoid valve junction box
- 12 UV system, available as an option
- 13 UV power supply junction box, available as an option
- 14 UV control junction box, available as an option (location may vary)
- 15 Mesh filter, available as an option

*If fire or shut-off damper is located at the duct, Halton suggests two default solutions for duct connection:

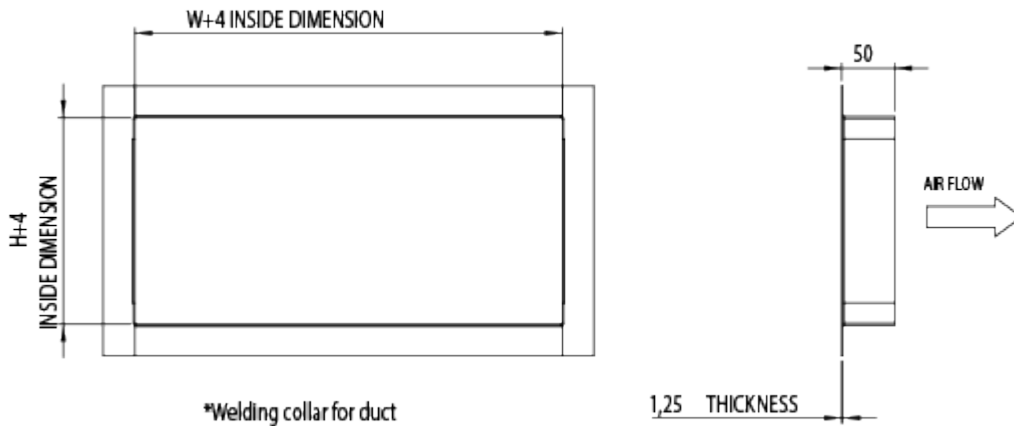
- Eurovent-collar with flange
- Welded L-collar

Eurovent-collar with flange



*Drilling pattern according to Eurovent

Welded L-collar



Weights of standard KW3 hoods (kg)

B/L	1200	1600	2000	2500	3000
1100	107	130	156	182	211
1300	112	137	163	191	220
1500	118	144	171	199	230
1700	124	150	178	208	240
1900	130	158	189	218	250

The above table represents an indication of different size of average KW3 hoods. Weight does not include a fire damper.

Weights of standard KW3 hoods with UV-lights (kg)

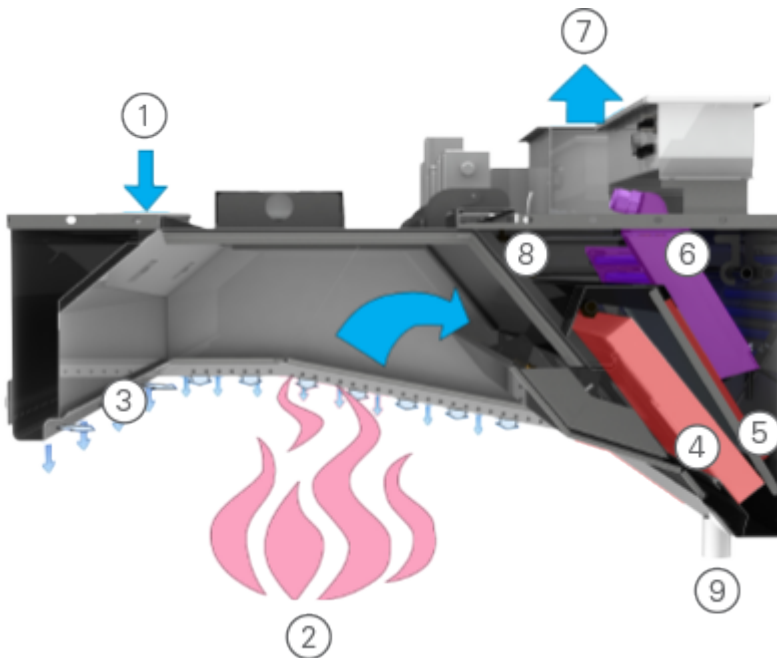
B/L	1250	1600	2000	2500	3000
1100	132	155	183	215	249
1300	137	162	191	223	258
1500	143	169	198	232	268
1700	149	175	206	240	278
1900	155	183	217	251	288

The above table represents an indication of different size of average KW3 hoods with UV-light technology. Weight does not include a fire damper.

Product Options and Accessories

- Non-standard spigots: choice of size and position
- UV-light filtration – a combination of KSA filter, mesh filter and ultraviolet-light technology
- EN 1.4404 (AISI316L) construction
- Modulating fire damper manufactured of EN 1.4301 (AISI304) or EN 1.4404 (AISI316L) or shut-off damper in exhaust connection
- Wet chemical fire suppression system
- M.A.R.V.E.L. demand-based ventilation system
- More accessories under Product Code

Function



1. Supply air enters the Capture Jet™ plenum.
2. Contaminated air and heat rises from the cooking appliances.
3. Contaminated air is directed into the hood from three different sides by Halton patented Capture Jet™ technology.
4. KSA multi-cyclone filters remove grease and contaminants from the air stream with the aid of centrifugal effect. According to independent laboratory tests KSA is the most efficient mechanical grease filter on the market.
5. Mesh filter balances the airflow inside exhaust plenum and apply more filtration to the air. Together with KSA filter this doubles filtration efficiency. Mesh filter is available as an option.
6. Based on Halton's patented highly efficiency Capture Jet™ solution and advanced mechanical KSA filter technology, the UV-light technology with scheduled maintenance keeps the plenum and duct virtually grease-free and mitigates the cooking odor and emissions. The grease vapor and effluents that are not collected by high-efficiency filters pass over the lamps. This causes a chemical reaction that destroys the grease and converts it into carbon dioxide and water vapor. The chemical action carries over into the duct and

- helps keep the duct and exhaust fan clean. UV-filtration is available as an option.
7. Cleaned exhaust air contains small amounts of Ozone which further cleans the ducts downstream. All excess Ozone converts back into Oxygen.
 8. At scheduled times the washing control cabinet stops the hood operation and begins a washing cycle. Hot water with mild detergent is pumped into the hood spray nozzles, washing the essential parts of the exhaust plenum including UV-lights and filters. Due to improved washing result, fire or shut-off damper of the hood has to be modulated to minimal airflow during washing cycle.
 9. The waste from the washing cycle is drained from the hood via the drain connection.

Recommended exhaust airflow for KW3

NUMBER OF KSA FILTERS	MINIMUM l/s	MAXIMUM l/s	MINIMUM m3/h	MAXIMUM m3/h
1	130	201	468	724
2	259	402	932	1447
3	389	602	1400	2167
4	518	803	1865	2891
5	648	1004	2333	3614
6	778	1205	2801	4338

Note: KSA filter size 500x330x50 mm

Specification

Suggested specification

The water wash galley hoods shall be constructed from stainless steel EN 1.4301 (AISI304). The galley hoods shall be supplied complete with outer casing / main body, capture jet plenum, airflow measurement taps, supply and exhaust air spigot connections with adjustment damper, maintenance hatch, light fixture, capture air jet, grease filters, drain connection, automatic washing system controlled by separate control cabinet with interfaces to ships safety systems. Classified fire damper in each exhaust connection. The manufacture of all galley hoods shall be controlled by ISO 3834-2:2005, ISO 9001, 14001 and OHSAS 18001 standards. The design of hoods shall follow USPHS guidelines.

Construction

All parts shall be constructed of stainless steel sheet EN 1.4301 (AISI304) (thickness 1.25 mm) with a polished finish. The inside corners of the hood are rounded for easy cleanability according to USPHS guidelines. The joints at the lower edges of the device are welded watertight. All visible screws are thumb screw type. The hood is equipped with a drain connection for removing the dirty water. There is a maintenance hatch in each hood for easy access above the hood.

Washing module

Grease filters shall have an automatic washing cycle utilising warm water and detergent via nozzles. The mixing of the detergent occurs within a separate control cabinet. The wastewater shall be removed from the hood by a direct drain connection. The casing of the control cabinet shall be constructed of stainless steel sheet EN 1.4301 (AISI304).

Capture Jet™ plenum

The Capture Jet™ plenum shall be insulated with sealed mineral wool. Plenum can be accessed through a maintenance hatch(es).

Capture Jet™ system

The hood shall be designed with Capture Jet™ technology to reduce the exhaust airflow rate required and increase the capture and containment efficiencies of the hood, while reducing energy use.

Airflow measurement taps

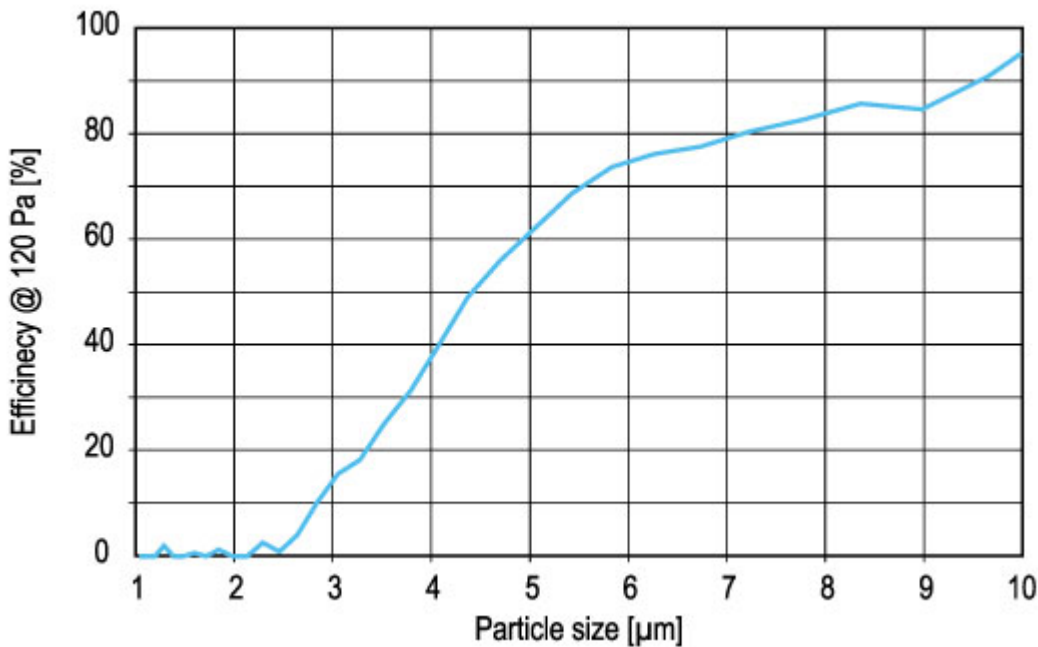
Measurement taps shall be located on top of the hood for capture air and exhaust air measurement.

Demand based filtration

Halton KSA filter

- Minimisation of grease deposits in the ducts
- Enhanced hygiene and safety

The KSA grease filters shall be constructed of stainless steel EN 1.4301 (AISI304). The grease filters shall be supplied in modular size of 500x330x50 mm and shall be removable via two folding handles. The grease filters shall have a honeycomb design in order to allow high grease filtration efficiency with the aid of centrifugal effect in filter honeycombs.



Mechanical filtration is recommended to be used in hoods with low utilization rate and cooking process producing mainly large grease particles (> 8 microns), e.g. food prepared with gas fryers, griddles and broilers (source ASHRAE).

UV-light filtration

Halton's UV-light technology is the most efficient solution for hoods with medium to high utilization rate and cooking processes producing all sizes of grease particles, e.g. food prepared with electric ranges, griddles and all type of broilers.

In the UV-light concept, most of the grease particles are first filtered with mechanical filtration (type KSA). The mesh filter behind the KSA spreads the airflow and the remaining grease particles inside the hood chamber. This increases filtration efficiency up to 50% with grease particles sizes between 5-8 microns. Based on Halton's patented highly efficiency Capture Jet™ solution and advanced mechanical KSA filter technology, the UV-light technology with scheduled maintenance keeps the plenum and duct virtually grease-free and mitigates the cooking odor and emissions. The grease

vapor and effluents that are not collected by high-efficiency filters pass over the lamps. This causes a chemical reaction that destroys the grease and converts it into carbon dioxide and water vapor. The chemical action carries over into the duct and helps keep the duct and exhaust fan clean.

Duct connections

The duct connections and adjustment dampers for supply and exhaust air shall be constructed from stainless steel. The dampers shall be adjustable.

Light fixtures

Each hood shall be delivered with a fluorescent light fixtures or energy efficient LED light fixtures providing approx. an average illuminance of 500 lux at the work surfaces of the cooking appliances. The light fixtures shall be suitable for a single-phase 230-VAC power supply and shall be manufactured to be of protection class IP67. The ballast and capacitor shall be located within the light Frame. The core electric cables connecting the light fixture to the junction box shall be provided. The light fixture shall be installed on a hinged maintenance hatch, allowing access to the hood roof.

Fluorescent light fixture sizes

HOOD DIMENSION	LENGTH	WIDTH
L < 1400 mm, 2×24 W	720 mm	220 mm
L ≥ 1400 mm, < 2000 mm, 2×39 W	1020 mm	220 mm
L ≥ 2000 mm, 2×49 W	1620 mm	220 mm

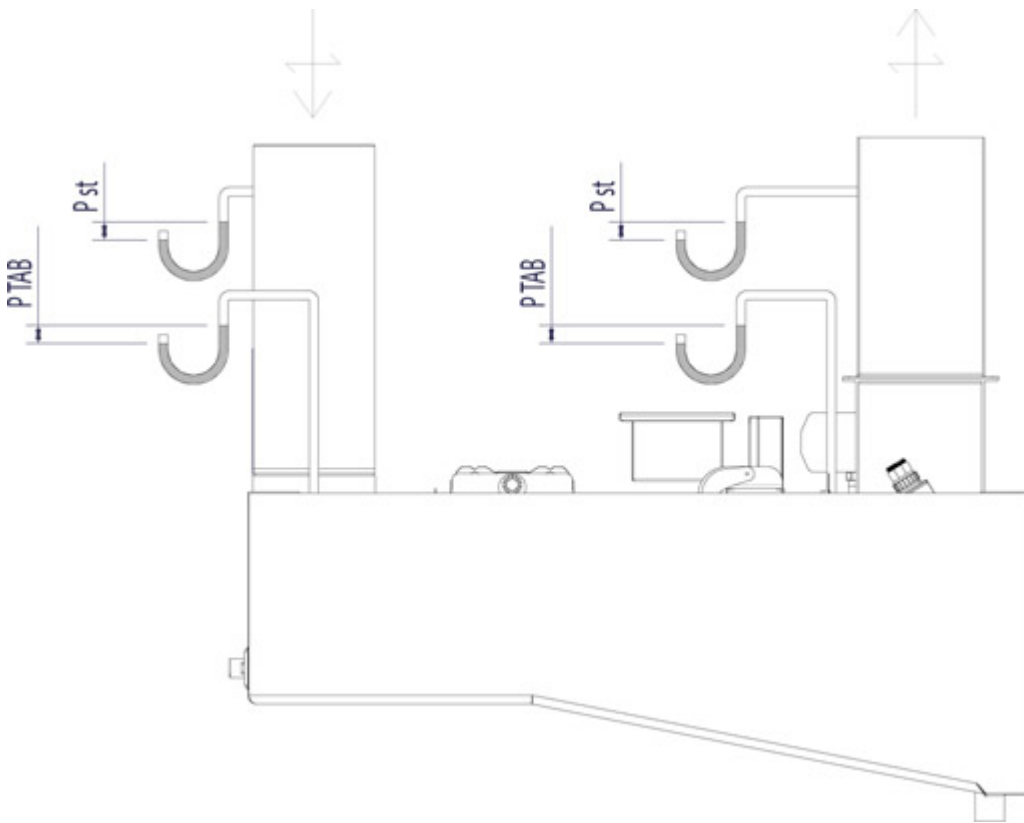
LED light fixture sizes

HOOD DIMENSION	LENGTH	WIDTH
L < 1400 mm, 1×28 W	720 mm	175 mm
L ≥ 1400 mm, < 2000 mm, 1×42 W	1020 mm	175 mm
L ≥ 2000 mm, 1×69 W	1620 mm	175 mm

Maintenance hatch

Each hood shall be provided with a maintenance hatch made of stainless steel EN 1.4301 (AISI304) with a shock-resistant plastic window. The heat tolerance of the window shall be up to +115 °C. The hatch shall be easily opened and closed. The maintenance / light fixture hatch is as big as the construction allows.

Airflow measurement



ΩP_{st} = Static pressure loss

ΩP_{TAB} = TAB pressure for airflow rate measurement

Product Code

(S)=Model

(N) With Capture Jet

(L)=Length

1100-3000 mm (with UV 1250-3000 mm)

For UV-lights more space is needed

(W)=Width

1100-1900 mm

(H)=Height of front end

350-400 mm (without water wash 350-450 mm)

The height of back end is 500 mm

(WF)=Washing Function

(A) Type GE CCW

(B) Type FI WR (locked – not available)

(N) No

(UV)=UV-light filtration

- (Y) Yes
- (N) No

(FD)=Fire damper control

- (Y) Yes
- (N) No

(MV)=Marvel

- (N) No
- (A) 1 sensor
- (B) 2 sensors
- (C) 3 sensors
- (D) 4 sensors

(UB)=UV or Marvel Box

- (A) UV-box ALU
- (B) UV-box SS
- (C) Marvel-box PL
- (N) No

(MA)=Material

- (SS) Stainless steel EN1.4301
- (AS) Stainless steel EN1.4404

(DS)=Diameter of supply connection

- 100
- 125
- 160
- 180
- 200

(LF)=Light fixture

- (A) Type SLR
- (B) Type LED SLV

(FK)=Fire suppression system

- (N) No
- (1) 1 pcs
- (2) 2 pcs
- (3) 3 pcs

(AC)=Accessories

- (L3) Three Fire Damper LED indicators
- (L2) Two Fire Damper LED indicators
- (S2) Fire Damper and LED open/close test switches
- (S1) Fire Damper open/close switch
- (BL) Capture Jet fan with potentiometer
- (HE) Ceiling condensation removal heating

Code example

KW31/

N-3000-1900-400,WF=A,UV=Y,FD=Y,MV=D,UB=A,MA=SS,DS=200,LF=B,FK=1,ZT=Y,AC=L2,S1,BL