

# UVGI-SA – Halton Sentinel Mobile Filtration Unit



## Overview

Quick Search

[Features & Benefits](#) | [Video](#) | [View Brochure](#) | [Specification](#) | [Dimensions](#) | [3rd Party Testing](#)

### Features and Benefits ^

- Recirculates Back Into Space
- Plug and Play, Portable
- 120/1 6' Cord and Plug Set, 374 Watts (International Voltages and Plugs available) 100-130V, 200-240V, 50/60 Hz
- Clean Air Delivery Rate Up – 800 CFM (377.6 l/s) 1000 CFM (471.9 l/s), 1200 CFM (566.3 l/s)
  - For example, a typical classroom of 25 students will have a ventilation rate<sup>1,2</sup> of 250 cfm. (10 cfm of outside air per student) Adding 1000 cfm of clean disinfected air will reduce the probability of airborne infection by 4.4 times<sup>3</sup> Other infection probability rates can be calculated by application and occupancy
- Estimated Bulb Life is 13,000 Hours
- UV Resistant MERV 13 Air Filters
- Controls Interface – Touch Screen HMI
- Steel Construction with Baked Powder Coat Finish and Heavy-Duty Locking Casters with Anchor mounts for fixed installation
- Sound Data: 55dB Normal Operation (65dB on High speed)
- On/Off capabilities on a mobile device
- Color may be Black (color code 80020) or White (color code 9010)

[Click to watch a short video explaining the Halton Sentinel Unit ^](#)

**Need more information?**



[View Halton's SafeGuard Risk UVGI Solutions Brochure ^](#)

[View Brochure](#)

## Specification

Provide a Halton Sentinel Ultraviolet Germicidal Irradiation filter unit. The unit exterior shall be constructed of stainless steel and provided with 29% open perforated expanded metal.

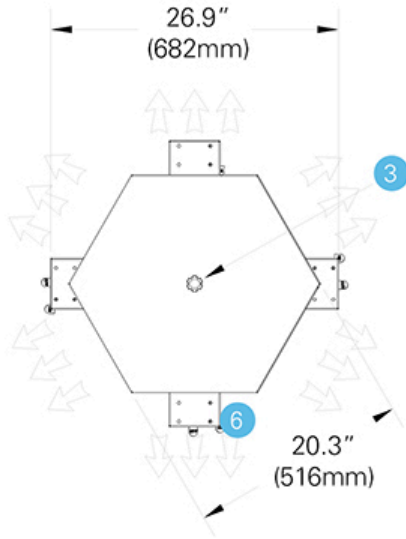
The unit shall be equipped with heavy-duty locking casters for ease of mobility. The interior of the unit shall be constructed of aluminized steel for corrosion protection. The unit will come complete with disposable MERV 13 filters.

The unit shall be equipped with 2 UVGI tubes rated at 13,000 hours and 254nm. UV-C bulbs outside of the 254nm range or producing ozone are expressly prohibited.

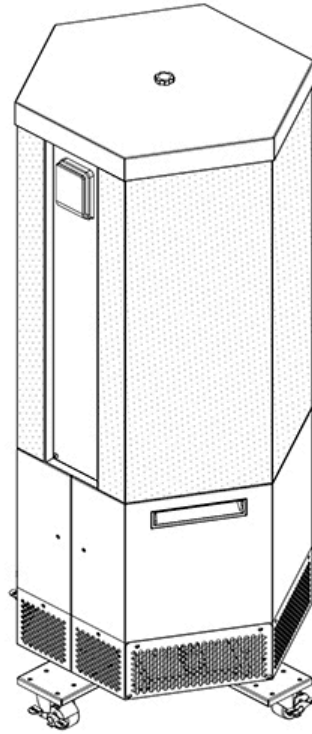
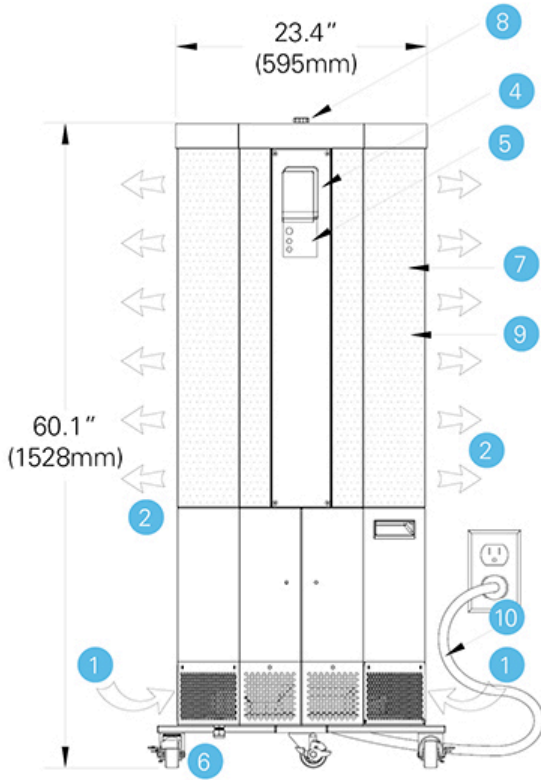
The unit requires 120/1 outlet, 15 amp circuit. The unit is built to UL standards.

## Dimensions

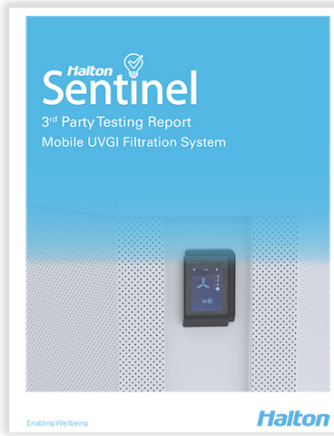
The weight of each UVGI-SA unit is **140lbs (64kg)**



- 1 Air inlet - Perforated Panels
- 2 Air Outlet - Perforated Panels
- 3 Hand Knob - Access to Filters and Bulbs
- 4 Touch Screen
- 5 Function Indicators
  - System Operational
  - Filter Change Required
  - UV Bulb Change Required
- 6 Heavy-Duty Locking Casters
- 7 UV Bulbs Inside
- 8 Top Access for Electrical and Fan at Rear
- 9 Filters Inside
  - Standard White - 9" Radiance Factor
  - Optional Pink - 6" Radiance Factor
- 10 Plug and Cord



# UVGI 3rd Party Testing Report



Testing was conducted at LMS Technologies to determine the single-pass removal efficiency and microbial properties of the Halton Mobile unit when exposed to surrogate pathogens *Serratia marcescens* and MS-2 bacteriophage. This data was compared to previous models completed by the Foodservice Research team in Scottsville.

Testing was conducted at 975 CFM which aligns with the recommended operating point. The device contained two UV lamps and a series of MERV 13 filters to remove pathogens.

Free download (PDF)

## Halton Sentinel 3rd Party Testing Report

- First name\*
- Last name\*
- Company\*
- Email\*
- Phone\*
- State
- City
- Country\*

- CAPTCHA
- 

Submit